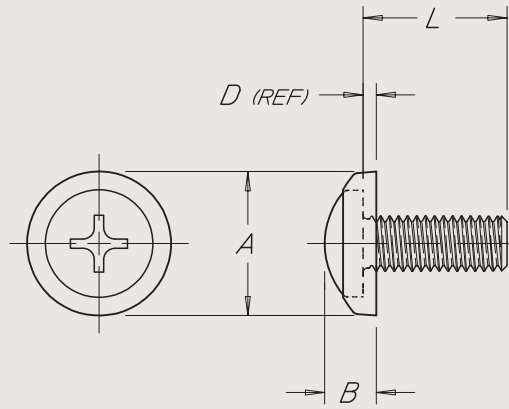




TYPICAL APPLICATION:  
SECURING PANELS AND RACK  
MOUNTED EQUIPMENT



©2002 DUPREE, INC.

PART NO. EXAMPLE: **PS 10F 8 CP S06YE** = PAN-L-SCREW, .190-32 X 1/2 LONG, CORROSION RESISTANT STEEL, PHILLIPS DRIVE, SEMI-GLOSS YELLOW PER FED. STD. 595 NO. 23594

HEAD TYPE	THREAD		L LENGTH TOLERANCE +.00 -0.03											MATERIAL	COLOR CODE	DIM DATA ±.020			
	CODE	SIZE	1/4	5/16	3/8	7/16	1/2	9/16	5/8	3/4	7/8	1	1 1/4			A	B	D	
<b>PS</b>	<b>2C</b>	.086-56 UNC-2A	4	5	6	7	8							<b>CP</b> CRES PHILLIPS DRIVE	SEE FORWARD SECTION FOR STOCK COLOR & CODE  * POLISHED SCREW WITH NATURAL WASHER = G02NA	.250	.096	.034	
	<b>4C</b>	.112-40 UNC-2A	4	5	6	7	8	9	10	12	14	16				.312	.117	.037	
	<b>6C</b>	.138-32 UNC-2A	4	5	6	7	8	9	10	12	14	16				.375	.137	.040	
	<b>8C</b>	.164-32 UNC-2A		5	6	7	8	9	10	12	14	16				.438	.158	.043	
	<b>10C</b>	.190-24 UNC-2A			6	7	8	9	10	12	14	16	20				.500	.179	.046
	<b>10F</b>	.190-32 UNF-2A			6	7	8	9	10	12	14	16	20				.500	.179	.046
	<b>14C</b>	.250-20 UNC-2A					8	9	10	12	14	16	20				.625	.232	.057

**FEATURES:**

1. The one piece screw and captive washer simplifies handling, installation and removal of attachment hardware.
2. Attachment hardware, color matched with the mounting surface eliminates distraction from the information display by blending with the background.
3. Screw heads are formed by cold forging, which increases the basic tensile strength of the corrosion resistant steel by 25%. The resultant high tensile strength thus eliminates burring and yield of the substrate under the coating material.
4. The thermosetting coating material used in combination with the relatively hard screw heads is resistant to abrasion and screw driver damage. This feature virtually eliminates the need for touch up painting after assembly.
5. The nylon washer provides a resilient cushion to protect the finished surface of panels and equipment.
6. A self-locking feature to prevent vibration from loosening the screw is achieved by the compression effect of the nylon washer between the screw head and the panel.
7. A seal for moisture, low pressure gases and vapors can be affected between the screw head and the panel surface by the compression of the nylon washer.

**NOTES:**

1. The screws listed in this series reflect aircraft quality with emphasis on the forming of the Phillips recess to meet design specification.

2. Care should be exercised to assure that the screw driver tools meet the same quality and design specification in order to eliminate mismatching and subsequent damage to the drive recess and coating material.
3. Inventory of all sizes listed in the table and stock colors listed in the forward section of this catalog are carried in stock to assure short lead times. Lengths not listed are also available on order.
4. For color coated screw less washer, omit the letter **P** from the head type code.

**SPECIFICATIONS:**

1. Screws meet all requirements of MS51957 (UNC-2A) and MS51958 (UNF-2A).
2. Screws are stocked passivated per QQ-P-35.
3. Threads are in conformance with H-28 Federal Handbook for threads.
4. Pan-L-Screws are suitable for applications with temperatures up to 250°F.
5. Washer color is achieved by molding with pigmented nylon per ASTM D 4066-90. Natural (translucent) washer is furnished with polished head screw.
6. Screw head coating and washer colors are matched to customer requirements. We recommend selection from Fed. Std. 595 whenever possible but we are also prepared to match customer furnished color chips or samples.

**STAKE FASTENER CO.**

14395 RAMONA AVENUE  
CHINO, CALIFORNIA 91710

(909) 597-4889  
CAGE 12324

FAX (909) 597-3043  
sales@stakefastener.com



**PAN-L-SCREW**

COLORED HEAD, MACHINE THREAD,  
CORROSION RESISTANT STEEL