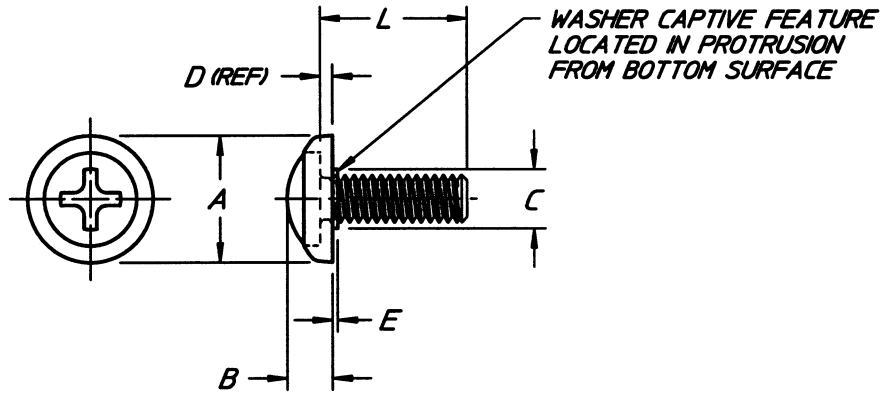


FIGURE 1: ORIGINAL PAN-L-SCREW (US PATENT 3,218,906)



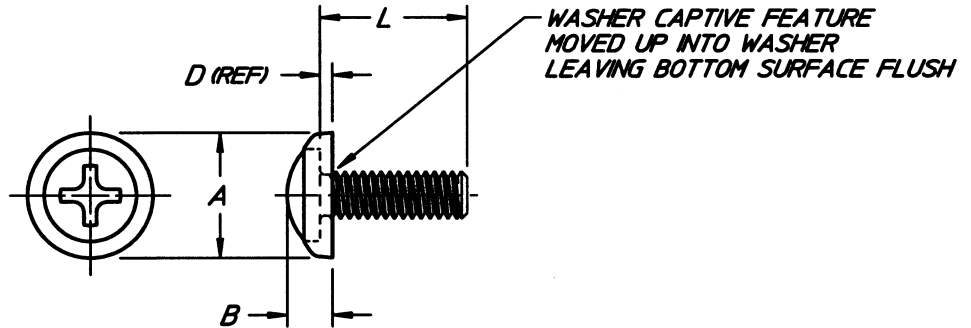
PART NO. EXAMPLE: **SFSW 10F 8 D L01BK**

HEAD TYPE    THREAD    LENGTH    MATERIAL & RECESS

COLOR-  
SEE STOCK COLOR LIST  
DWG NO. SCL870115

"SFSW" HEAD TYPE TRANSLATION: STAKE FASTENER SCREW with WASHER  
FOR COLOR COATED SCREW WITHOUT WASHER, OMIT LETTER 'W' FROM PART NUMBER (HEAD TYPE - "SFS")

FIGURE 2: UPDATED PAN-L-SCREW WITH FLUSH BOTTOM (RELEASED APPROX 1983)



PART NO. EXAMPLE: **PS 10F 8 D L01BK**

HEAD TYPE    THREAD    LENGTH    MATERIAL & RECESS

COLOR-  
SEE STOCK COLOR LIST  
DWG NO. SCL870115

"PS" HEAD TYPE TRANSLATION: PAN-L-SCREW  
FOR COLOR COATED SCREW WITHOUT WASHER, OMIT LETTER 'P' FROM PART NUMBER (HEAD TYPE - "S")

NOTICE: PROPRIETARY INFORMATION

THIS DOCUMENT AND ALL RELATED DUPREE DRAWINGS ARE THE SOLE PROPERTY OF DUPREE, INC. AND ITS OPERATING DIVISIONS. DOCUMENTS AND RELATED DRAWINGS DESCRIBE PRODUCTS AND/OR PROCESSES WHICH MAY INVOLVE CORPORATE DESIGNS OR TRADE SECRETS. REPRODUCTION, DISTRIBUTION OR DISCLOSURE TO UNAUTHORIZED PERSONS IS PROHIBITED WITHOUT EXPRESS PERMISSION, IN WRITING.

**SF STAKE FASTENER CO.**  
  
 14395 RAMONA AVENUE  
 CHINO, CA 91710  
 TEL (909) 597-4889  
 FAX (909) 597-3043  
 CAGE 12324

MATERIAL	FINISH	DR <i>G.J.M.</i> DATE 7-14-2003	APP <i>[Signature]</i> DATE
PRODUCT COMPARISON "SFSW" vs "PS" STYLE PAN-L-SCREWS		.XXX	SCALE NONE
		.XX	
		DWG. NO. 9-45-0200-143	
SHEET 1	OF 1	REV A	